

∞
SUPERIOR 25



STAINLESS STEEL LBP DOOR HANDLE



PRODUCT DESCRIPTION

Made from high quality, 304 grade stainless steel, the Superior 25 Long Back Plate door handle features unrivalled corrosion resistance and a sleek, contemporary design. As part of the Superior 25 door furniture range, the Stainless Steel Long Back Plate is perfectly suited with other products for a coordinated look.

FEATURES & BENEFITS

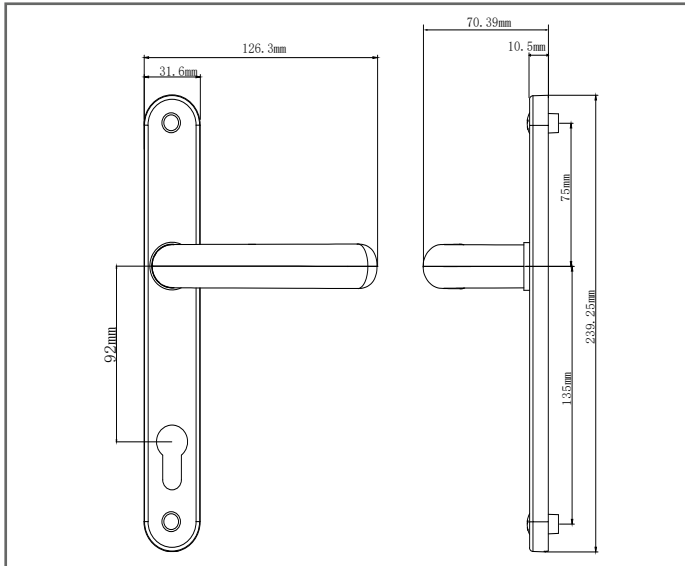
- Elegant ergonomic design with superior aesthetics
 - Part of the fully suited Superior 25 Range
 - Available in inline lever/lever and offset lever/lever
- Six finishes available; White, Black, Chrome, Gold, Brushed Stainless, and Flint
 - 10 Year mechanical guarantee
 - 25 Year surface guarantee
- Coating tested to BS.EN: 2007 Grade 5

8
SUPERIOR 25

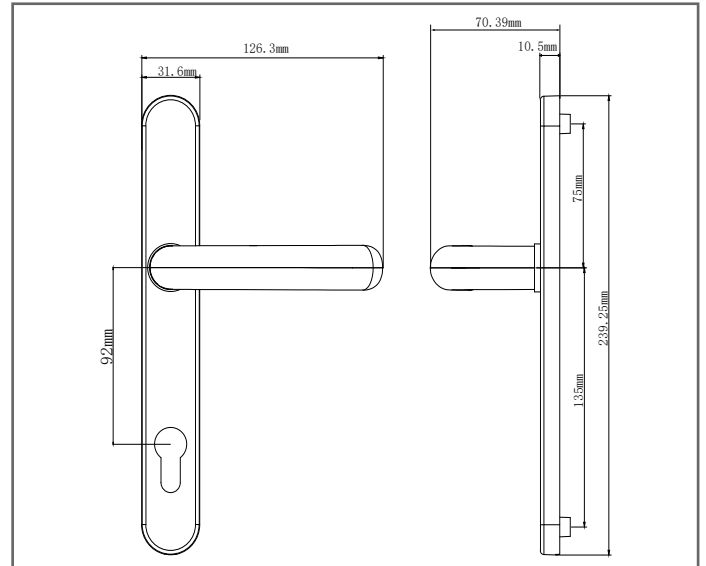


STAINLESS STEEL LBP DOOR HANDLE

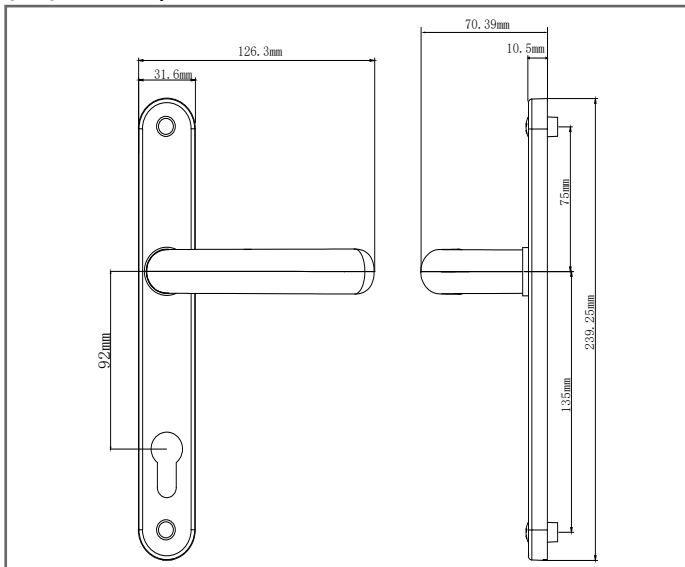
INLINE LEVER/LEVER INTERNAL HANDLE



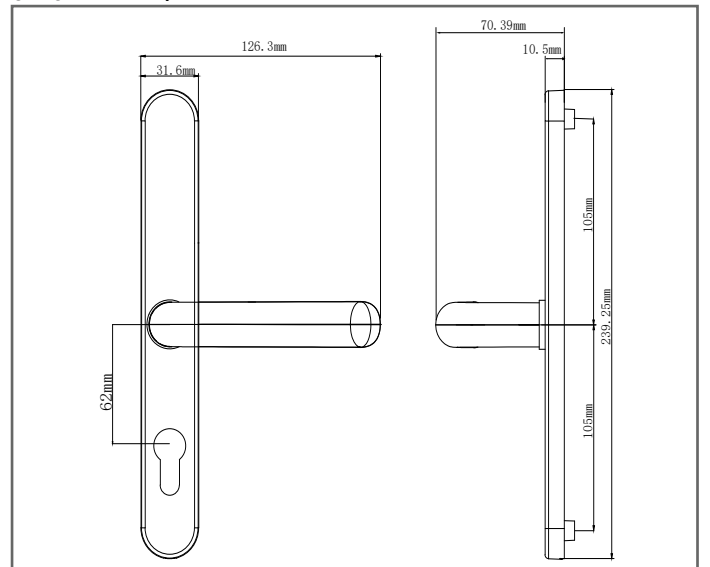
INLINE LEVER/LEVER EXTERNAL HANDLE



OFFSET LEVER/LEVER INTERNAL HANDLE



OFFSET LEVER/LEVER EXTERNAL HANDLE



PACKAGING

Each outer box contains 10 individually boxed handles, each with screws and spindles included.

MAINTENANCE

To maintain a high quality appearance and operation we recommend that all external hardware is cleaned routinely, and moving parts are lightly lubricated a minimum of twice a year. Products used within a 1 mile radius of coastal areas, building sites or large industrial areas, more regular cleaning will be required to prevent build up of corrosive contaminants.