



STAINLESS STEEL LETTERS & NUMERALS



PRODUCT DESCRIPTION

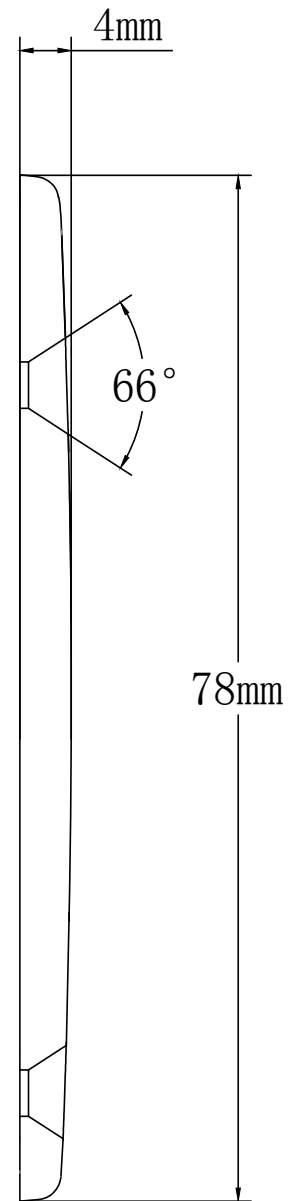
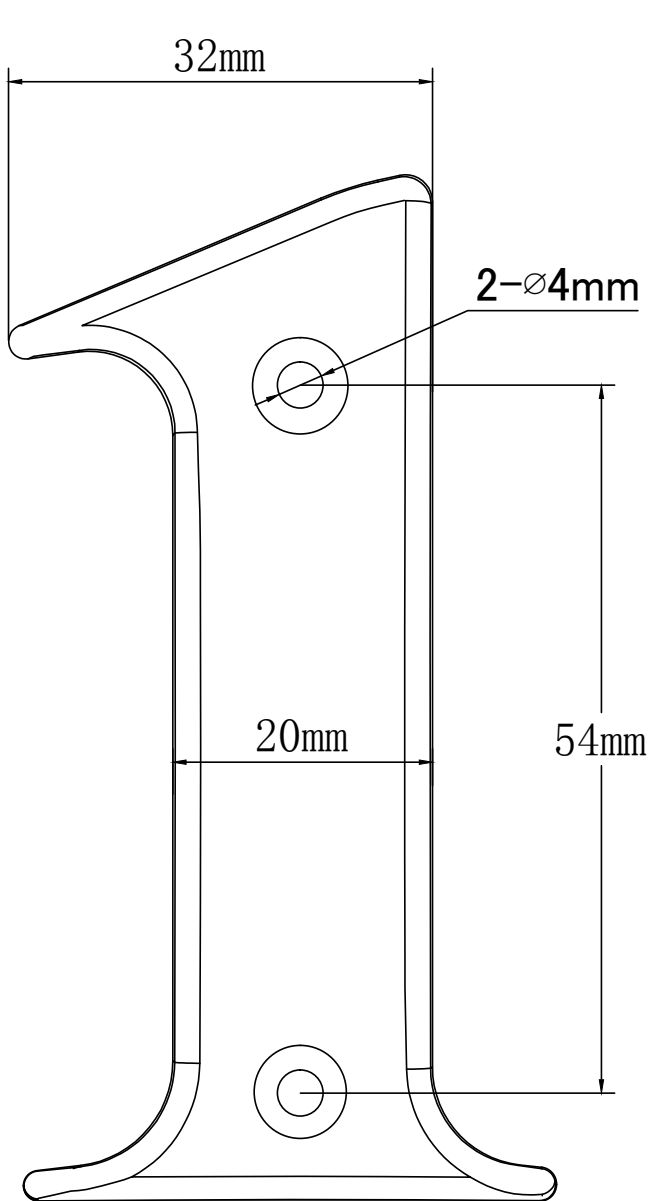
Perfectly coordinated with the Superior 25 Stainless Steel range of door furniture, the Letters & Numerals have been designed to complement any look of any door style. They are manufactured from 304 grade stainless steel and offer ultimate corrosion resistance for enhanced durability.

FEATURES & BENEFITS

- Part of the fully suited Superior 25 Range
- Manufactured from 304 Grade Stainless Steel
- Six finishes available; White, Black, Chrome, Gold, Brushed Stainless, and Flint
 - 25 Year surface guarantee
- Coating tested to BS.EN: 2007 Grade 5



STAINLESS STEEL LETTERS & NUMERALS



PACKAGING

Each outer box contains 100 individually bagged numbers, each with screws included.

MAINTENANCE

To maintain a high quality appearance and operation we recommend that all external hardware is cleaned routinely, and moving parts are lightly lubricated a minimum of twice a year. Products used within a 1 mile radius of coastal areas, building sites or large industrial areas, more regular cleaning will be required to prevent build up of corrosive contaminants.